

Sheet Metal Hinges

Steel / Stainless Steel, Square or Vertically Elongated, Horizontally Elongated

SPECIFICATION

Types

- Type **A**: Without bores (only in stainless steel NI)
- Type **B**: With through-holes
- Type **C**: With countersunk holes

Hinge leaves

- Steel **ST**
Zinc plated, blue passivated
Only type B / C
- Stainless steel **AISI 304 NI**
- Plain finish
All types
- Powder coated
Black, RAL 9005, textured finish **NISW**
Only type B
- Stainless steel **AISI 316 A4**
Only type B / C

Hinge Pin

- Stainless Steel
- AISI 304 for ST / NI / NISW
 - AISI 316 for A4
 - Riveted

INFORMATION

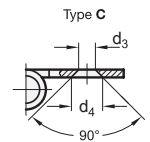
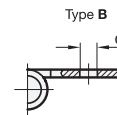
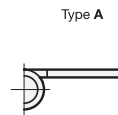
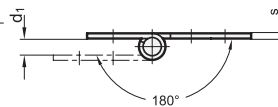
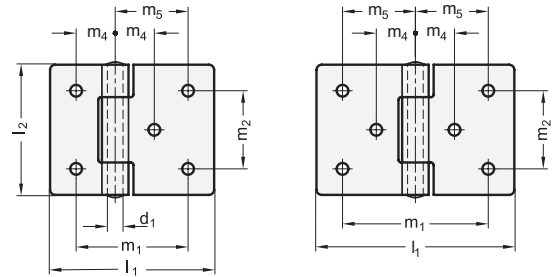
Sheet metal hinges GN 136 are available in many different versions and are suitable for light to medium-duty applications.

Type A can be fixed in place by welding or by using holes made by the customer.

The stainless steel versions are particularly suited for applications in highly aggressive conditions.

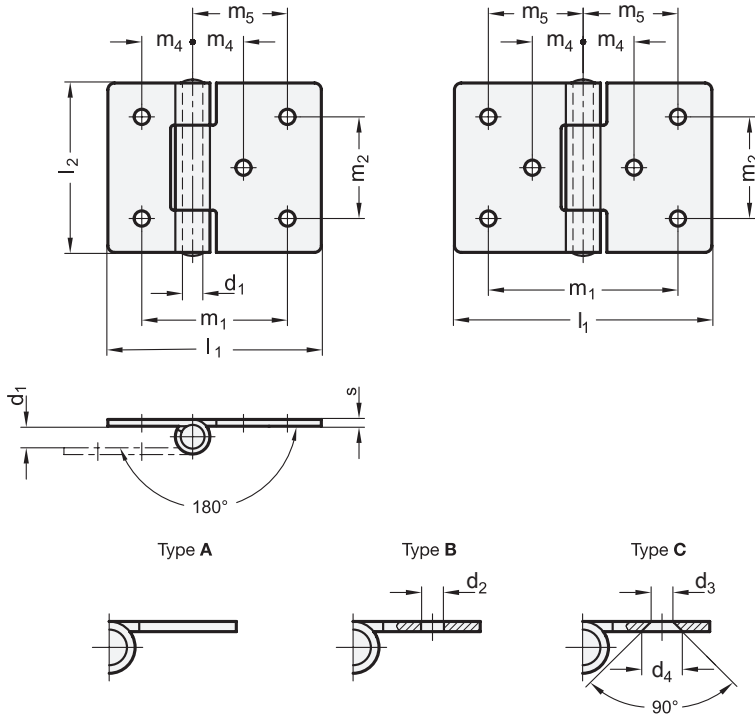
TECHNICAL INFORMATION

- List of Hinge Types (see page 1362)
- Load Rating Information of Hinges (see page A26)
- Stainless Steel Characteristics (see page A40)



GN 136-ST-HE

Description	l ₁		l ₂	d ₁	d ₂	d ₃	d ₄	m ₁		m ₂	m ₄	m ₅	s	⚖
	on one side elongated	on both sides elongated						on one side elongated	on both sides elongated					
GN 136-ST-45-30-B	45	-	30	3	3.2	-	-	33	-	18	9	24	1.5	19
GN 136-ST-45-30-C	45	-	30	3	-	4	6.4	33	-	18	9	24	1.5	19
GN 136-ST-60-30-B	-	60	30	3	3.2	-	-	-	48	18	9	24	1.5	24
GN 136-ST-60-30-C	-	60	30	3	-	4	6.4	-	48	18	9	24	1.5	24
GN 136-ST-60-40-B	60	-	40	4	4.2	-	-	45	-	25	12.5	32.5	2	45
GN 136-ST-60-40-C	60	-	40	4	-	5	8.3	45	-	25	12.5	32.5	2	45
GN 136-ST-80-40-B	-	80	40	4	4.2	-	-	-	65	25	12.5	32.5	2	58
GN 136-ST-80-40-C	-	80	40	4	-	5	8.3	-	65	25	12.5	32.5	2	58
GN 136-ST-75-50-B	75	-	50	6	5.2	-	-	55	-	30	15	40	2	79
GN 136-ST-75-50-C	75	-	50	6	-	5	8.3	55	-	30	15	40	2	79
GN 136-ST-100-50-B	-	100	50	6	5.2	-	-	-	80	30	15	40	2	98
GN 136-ST-100-50-C	-	100	50	6	-	5	8.3	-	80	30	15	40	2	98
GN 136-ST-90-60-B	90	-	60	6	5.2	-	-	66	-	36	18	48	2	108
GN 136-ST-90-60-C	90	-	60	6	-	5	8.3	66	-	36	18	48	2	108
GN 136-ST-120-60-B	-	120	60	6	5.2	-	-	-	96	36	18	48	2	136
GN 136-ST-120-60-C	-	120	60	6	-	5	8.3	-	96	36	18	48	2	136
GN 136-ST-120-80-B	120	-	80	8	6.2	-	-	90	-	50	25	65	2.5	247
GN 136-ST-120-80-C	120	-	80	8	-	6	10	90	-	50	25	65	2.5	247
GN 136-ST-160-80-B	-	160	80	8	6.2	-	-	-	130	50	25	65	2.5	310
GN 136-ST-160-80-C	-	160	80	8	-	6	10	-	130	50	25	65	2.5	310

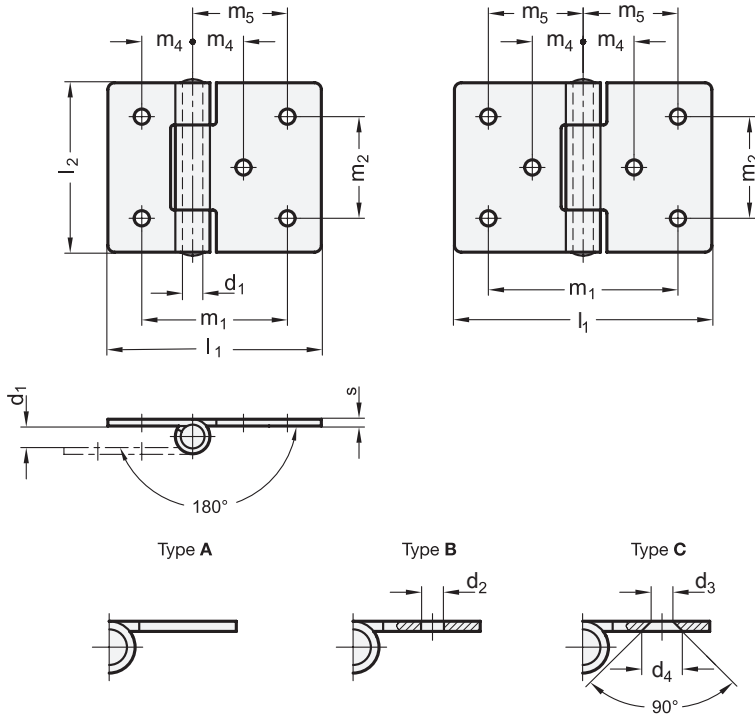


GN 136-NI-HE

STAINLESS STEEL

Description	l ₁ on one side elongated	l ₁ on both sides elongated	l ₂	d ₁	d ₂	d ₃	d ₄	m ₁ on one side elongated	m ₁ on both sides elongated	m ₂	m ₄	m ₅	s	⚖
GN 136-NI-45-30-A	45	-	30	3	-	-	-	33	-	18	9	24	1.5	20
GN 136-NI-45-30-B	45	-	30	3	3.2	-	-	33	-	18	9	24	1.5	19
GN 136-NI-45-30-C	45	-	30	3	-	4	6.4	33	-	18	9	24	1.5	19
GN 136-NI-60-30-A	-	60	30	3	-	-	-	-	48	18	9	24	1.5	25
GN 136-NI-60-30-B	-	60	30	3	3.2	-	-	-	48	18	9	24	1.5	24
GN 136-NI-60-30-C	-	60	30	3	-	4	6.4	-	48	18	9	24	1.5	24
GN 136-NI-60-40-A	60	-	40	4	-	-	-	45	-	25	12.5	32.5	2	47
GN 136-NI-60-40-B	60	-	40	4	4.2	-	-	45	-	25	12.5	32.5	2	45
GN 136-NI-60-40-C	60	-	40	4	-	5	8.3	45	-	25	12.5	32.5	2	45
GN 136-NI-75-50-A	75	-	50	6	-	-	-	-	65	30	15	32.5	2	81
GN 136-NI-75-50-B	75	-	50	6	5.2	-	-	-	65	30	15	32.5	2	79
GN 136-NI-75-50-C	75	-	50	6	-	5	8.3	-	65	30	15	32.5	2	79
GN 136-NI-80-40-A	-	80	40	4	-	-	-	55	-	25	12.5	40	2	59
GN 136-NI-80-40-B	-	80	40	4	4.2	-	-	55	-	25	12.5	40	2	58
GN 136-NI-80-40-C	-	80	40	4	-	5	8.3	55	-	25	12.5	40	2	58
GN 136-NI-90-60-A	90	-	60	6	-	-	-	-	80	36	18	40	2	111
GN 136-NI-90-60-B	90	-	60	6	5.2	-	-	-	80	36	18	40	2	108
GN 136-NI-90-60-C	90	-	60	6	-	5	8.3	-	80	36	18	40	2	108
GN 136-NI-100-50-A	-	100	50	6	-	-	-	66	-	30	15	48	2	99
GN 136-NI-100-50-B	-	100	50	6	5.2	-	-	66	-	30	15	48	2	98
GN 136-NI-100-50-C	-	100	50	6	-	5	8.3	66	-	30	15	48	2	98
GN 136-NI-120-60-A	-	120	60	6	-	-	-	-	96	36	18	48	2	139
GN 136-NI-120-60-B	-	120	60	6	5.2	-	-	-	96	36	18	48	2	136
GN 136-NI-120-60-C	-	120	60	6	-	5	8.3	-	96	36	18	48	2	108
GN 136-NI-120-80-A	120	-	80	8	-	-	-	90	-	50	25	65	2.5	252
GN 136-NI-120-80-B	120	-	80	8	6.2	-	-	90	-	50	25	65	2.5	247
GN 136-NI-120-80-C	120	-	80	8	-	6	10	90	-	50	25	65	2.5	247
GN 136-NI-160-80-A	-	160	80	8	-	-	-	-	-	50	25	65	2.5	315
GN 136-NI-160-80-B	-	160	80	8	6.2	-	-	-	-	50	25	65	2.5	310
GN 136-NI-160-80-C	-	160	80	8	-	6	10	-	-	50	25	65	2.5	310





GN 136-A4-HE

STAINLESS STEEL

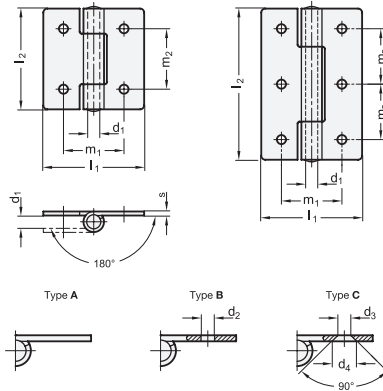
Description	l ₁		l ₂	d ₁	d ₂	d ₃	d ₄	m ₁		m ₂	m ₄	m ₅	s	⚖
	on one side elongated	on both sides elongated						on one side elongated	on both sides elongated					
GN 136-A4-45-30-B	45	-	30	3	3.2	-	-	33	-	18	9	24	1.5	19
GN 136-A4-45-30-C	45	-	30	3	-	4	6.4	33	-	18	9	24	1.5	19
GN 136-A4-60-30-B	-	60	30	3	3.2	-	-	-	48	18	9	24	1.5	24
GN 136-A4-60-30-C	-	60	30	3	-	4	6.4	-	48	18	9	24	1.5	24
GN 136-A4-60-40-B	60	-	40	4	4.2	-	-	45	-	25	12.5	32.5	2	45
GN 136-A4-60-40-C	60	-	40	4	-	5	8.3	45	-	25	12.5	32.5	2	45
GN 136-A4-75-50-B	75	-	50	6	5.2	-	-	-	65	30	15	32.5	2	79
GN 136-A4-75-50-C	75	-	50	6	-	5	8.3	-	65	30	15	32.5	2	79
GN 136-A4-80-40-B	-	80	40	4	4.2	-	-	55	-	25	12.5	40	2	58
GN 136-A4-80-40-C	-	80	40	4	-	5	8.3	55	-	25	12.5	40	2	58
GN 136-A4-90-60-B	90	-	60	6	5.2	-	-	-	80	36	18	40	2	98
GN 136-A4-90-60-C	90	-	60	6	-	5	8.3	-	80	36	18	40	2	98
GN 136-A4-100-50-B	-	100	50	6	5.2	-	-	66	-	30	15	48	2	108
GN 136-A4-100-50-C	-	100	50	6	-	5	8.3	66	-	30	15	48	2	108
GN 136-A4-120-60-B	-	120	60	6	5.2	-	-	-	96	36	18	48	2	136
GN 136-A4-120-60-C	-	120	60	6	-	5	8.3	-	96	36	18	48	2	136
GN 136-A4-120-80-B	120	-	80	8	6.2	-	-	90	-	50	25	65	2.5	247
GN 136-A4-120-80-C	120	-	80	8	-	6	10	90	-	50	25	65	2.5	247
GN 136-A4-160-80-B	-	160	80	8	6.2	-	-	-	-	50	25	65	2.5	310
GN 136-A4-160-80-C	-	160	80	8	-	6	10	-	-	50	25	65	2.5	310

GN 136-NISW-HE

STAINLESS STEEL

Description	l ₁		l ₂	d ₁	d ₂	m ₁		m ₂	m ₄	m ₅	s	⚖
	on one side elongated	on both sides elongated				on one side elongated	on both sides elongated					
GN 136-NISW-45-30-B	45	-	30	3	3.2	33	-	18	9	24	1.5	20
GN 136-NISW-60-30-B	-	60	30	3	3.2	-	48	18	9	24	1.5	25
GN 136-NISW-60-40-B	60	-	40	4	4.2	45	-	25	12.5	32.5	2	47
GN 136-NISW-75-50-B	75	-	50	6	5.2	55	-	30	15	40	2	81
GN 136-NISW-100-50-B	-	100	50	6	5.2	-	80	30	15	40	2	100
GN 136-NISW-90-60-B	90	-	60	6	5.2	66	-	36	18	48	2	111
GN 136-NISW-120-60-B	-	120	60	6	5.2	-	96	36	18	48	2	139
GN 136-NISW-120-80-B	120	-	80	8	6.2	90	-	50	25	65	2.5	249
GN 136-NISW-160-80-B	-	160	80	8	6.2	-	130	50	25	65	2.5	312

Hinges and accessories 12



GN 136-ST-SVE

Description	l1	l2 Square	l2 1,5x elongated	d1	d2	d3	d4	m1	m2	m3	s	⚖
GN 136-ST-30-30-B	30	30	-	3	3.2	-	-	18	18	-	1.5	14
GN 136-ST-30-30-C	30	30	-	3	-	4	6.4	18	18	-	1.5	14
GN 136-ST-30-45-B	30	-	45	3	3.2	-	-	18	-	16.5	1.5	21
GN 136-ST-30-45-C	30	-	45	3	-	4	6.4	18	-	16.5	1.5	21
GN 136-ST-40-40-B	40	40	-	4	4.2	-	-	25	25	-	2	34
GN 136-ST-40-40-C	40	40	-	4	-	5	8.3	25	25	-	2	34
GN 136-ST-40-60-B	40	-	60	4	4.2	-	-	25	-	22.5	2	51
GN 136-ST-40-60-C	40	-	60	4	-	5	8.3	25	-	22.5	2	51
GN 136-ST-50-50-B	50	50	-	6	5.2	-	-	30	30	-	2	62
GN 136-ST-50-50-C	50	50	-	6	-	5	8.3	30	30	-	2	62
GN 136-ST-50-75-B	50	-	75	6	5.2	-	-	30	-	27.5	2	90
GN 136-ST-50-75-C	50	-	75	6	-	5	8.3	30	-	27.5	2	90
GN 136-ST-60-60-B	60	60	-	6	5.2	-	-	36	36	-	2	84
GN 136-ST-60-60-C	60	60	-	6	-	5	8.3	36	36	-	2	84
GN 136-ST-60-90-B	60	-	90	6	5.2	-	-	36	-	33	2	121
GN 136-ST-60-90-C	60	-	90	6	-	5	8.3	36	-	33	2	121
GN 136-ST-80-80-B	80	80	-	8	6.2	-	-	50	50	-	2.5	185
GN 136-ST-80-80-C	80	80	-	8	-	6	10	50	50	-	2.5	185
GN 136-ST-80-120-B	80	-	120	8	6.2	-	-	50	-	45	2.5	277
GN 136-ST-80-120-C	80	-	120	8	-	6	10	50	-	45	2.5	277

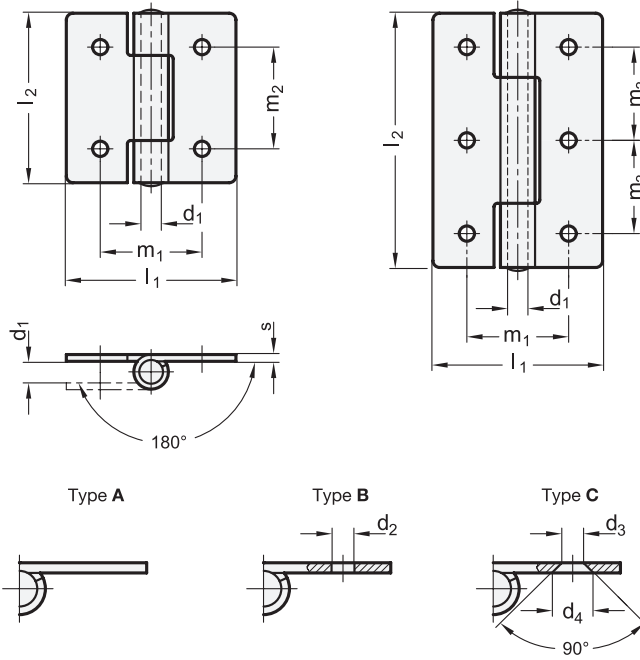
GN 136-NI-SVE

STAINLESS STEEL

Description	l1	l2 Square	l2 1,5x elongated	d1	d2	d3	d4	m1	m2	m3	s	⚖
GN 136-NI-30-30-A	30	30	-	3	-	-	-	-	-	-	1.5	15
GN 136-NI-30-30-B	30	30	-	3	3.2	-	-	18	18	-	1.5	14
GN 136-NI-30-30-C	30	30	-	3	-	4	6.4	18	18	-	1.5	14
GN 136-NI-30-45-A	30	-	45	3	-	-	-	-	-	-	1.5	22
GN 136-NI-30-45-B	30	-	45	3	3.2	-	-	18	-	16.5	1.5	21
GN 136-NI-30-45-C	30	-	45	3	-	4	6.4	18	-	16.5	1.5	21
GN 136-NI-40-40-A	40	40	-	4	-	-	-	-	-	-	2	36
GN 136-NI-40-40-B	40	40	-	4	4.2	-	-	25	25	-	2	34
GN 136-NI-40-40-C	40	40	-	4	-	5	8.3	25	25	-	2	34
GN 136-NI-40-60-A	40	-	60	4	-	-	-	-	-	-	2	52
GN 136-NI-40-60-B	40	-	60	4	4.2	-	-	25	-	22.5	2	51
GN 136-NI-40-60-C	40	-	60	4	-	5	8.3	25	-	22.5	2	51
GN 136-NI-50-50-A	50	50	-	6	-	-	-	-	-	-	2	63
GN 136-NI-50-50-B	50	50	-	6	5.2	-	-	30	30	-	2	62
GN 136-NI-50-50-C	50	50	-	6	-	5	8.3	30	30	-	2	62
GN 136-NI-50-75-A	50	-	75	6	-	-	-	-	-	-	2	93
GN 136-NI-50-75-B	50	-	75	6	5.2	-	-	30	-	27.5	2	90
GN 136-NI-50-75-C	50	-	75	6	-	5	8.3	30	-	27.5	2	90
GN 136-NI-60-60-A	60	60	-	6	-	-	-	-	-	-	2	85
GN 136-NI-60-60-B	60	60	-	6	5.2	-	-	36	36	-	2	84
GN 136-NI-60-60-C	60	60	-	6	-	5	8.3	36	36	-	2	84
GN 136-NI-60-90-A	60	-	90	6	-	-	-	-	-	-	2	122
GN 136-NI-60-90-B	60	-	90	6	5.2	-	-	36	-	33	2	125
GN 136-NI-60-90-C	60	-	90	6	-	5	8.3	36	-	33	2	125
GN 136-NI-80-80-A	80	80	-	8	-	-	-	-	50	-	2.5	189
GN 136-NI-80-80-B	80	80	-	8	6.2	-	-	50	50	-	2.5	185
GN 136-NI-80-80-C	80	80	-	8	-	6	10	50	50	-	2.5	185
GN 136-NI-80-120-A	80	-	120	8	-	-	-	-	-	45	2.5	283
GN 136-NI-80-120-B	80	-	120	8	6.2	-	-	50	-	45	2.5	277
GN 136-NI-80-120-C	80	-	120	8	-	6	10	50	-	45	2.5	277



Hinges and accessories 12



GN 136-A4-SVE

STAINLESS STEEL

Description	l ₁	l ₂ Square	l ₂ 1,5x elongated	d ₁	d ₂	d ₃	d ₄	m ₁	m ₂	m ₃	s	⚖
GN 136-A4-30-30-B	30	30	-	3	3.2	-	-	18	18	-	1.5	14
GN 136-A4-30-30-C	30	30	-	3	-	4	6.4	18	18	-	1.5	14
GN 136-A4-30-45-B	30	-	45	3	3.2	-	-	18	-	16.5	1.5	21
GN 136-A4-30-45-C	30	-	45	3	-	4	6.4	18	-	16.5	1.5	21
GN 136-A4-40-40-B	40	40	-	4	4.2	-	-	25	25	-	2	34
GN 136-A4-40-40-C	40	40	-	4	-	5	8.3	25	25	-	2	34
GN 136-A4-40-60-B	40	-	60	4	4.2	-	-	25	-	22.5	2	51
GN 136-A4-40-60-C	40	-	60	4	-	5	8.3	25	-	22.5	2	51
GN 136-A4-50-50-B	50	50	-	6	5.2	-	-	30	30	-	2	62
GN 136-A4-50-50-C	50	50	-	6	-	5	8.3	30	30	-	2	62
GN 136-A4-50-75-B	50	-	75	6	5.2	-	-	30	-	27.5	2	90
GN 136-A4-50-75-C	50	-	75	6	-	5	8.3	30	-	27.5	2	90
GN 136-A4-60-60-B	60	60	-	6	5.2	-	-	36	36	-	2	84
GN 136-A4-60-60-C	60	60	-	6	-	5	8.3	36	36	-	2	84
GN 136-A4-60-90-B	60	-	90	6	5.2	-	-	36	-	33	2	125
GN 136-A4-60-90-C	60	-	90	6	-	5	8.3	36	-	33	2	125
GN 136-A4-80-80-B	80	80	-	8	6.2	-	-	50	50	-	2	185
GN 136-A4-80-80-C	80	80	-	8	-	6	10	50	50	-	2.5	185
GN 136-A4-80-120-B	80	-	120	8	6.2	-	-	50	-	45	2.5	277
GN 136-A4-80-120-C	80	-	120	8	-	6	10	50	-	45	2.5	277

GN 136-NISW-SVE

STAINLESS STEEL

Description	l ₁	l ₂ Square	l ₂ 1,5x elongated	d ₁	d ₂	m ₁	m ₂	m ₃	s	⚖
GN 136-NISW-30-30-B	30	30	-	3	3.2	18	18	-	1.5	15
GN 136-NISW-30-45-B	30	-	45	3	3.2	18	-	16.5	1.5	22
GN 136-NISW-40-40-B	40	40	-	4	4.2	25	25	-	2	34
GN 136-NISW-40-60-B	40	-	60	4	4.2	25	-	22.5	2	52
GN 136-NISW-50-50-B	50	50	-	6	5.2	30	30	-	2	61
GN 136-NISW-50-75-B	50	-	75	6	5.2	30	-	27.5	2	83
GN 136-NISW-60-60-B	60	60	-	6	5.2	36	36	-	2	92
GN 136-NISW-60-90-B	60	-	90	6	5.2	36	-	33	2	124
GN 136-NISW-80-80-B	80	80	-	8	6.2	50	50	-	2.5	187
GN 136-NISW-80-120-B	80	-	120	8	6.2	50	-	45	2.5	280